

WICKLOW ONE PIECE TOILET

4.8LPF / 1.28GPF

□ 4710BCVU Unlined Tank

PRODUCT SPECS

- High efficiency toilet
- 4.8Lpf / 1.28Gpf
- Compact elongated bowl
- Vitreous china
- 17" Plus Height for greater comfort
- Soft white tank lever
- 12" (305mm) Rough-in
- 2" Fully glazed ball pass trapway
- 3" Flapper
- Siphon jet flush action
- Water surface: 8 1/8" x 5 1/2" (208mm x 140mm)
- Oversized footprint
- Toilet seat not included

DIMENSIONS

420mm W x 690mm D x 750mm H
16 1/2" W x 27 1/8" D x 29 1/2" H

COMPLIANCE CERTIFICATIONS

- Meets or exceeds the following:
- IAPMO cUPC
 - ASME A 112.19.2 / CSA B45.1
 - LEED Compliant
 - ADA Guidelines & ANSI A117.1
 - CSA B651 barrier-free standard
 - US EPA WaterSense
 - MaP Tested 1000g

SHIPPING

Cube 8.33
GW 77.20 lbs



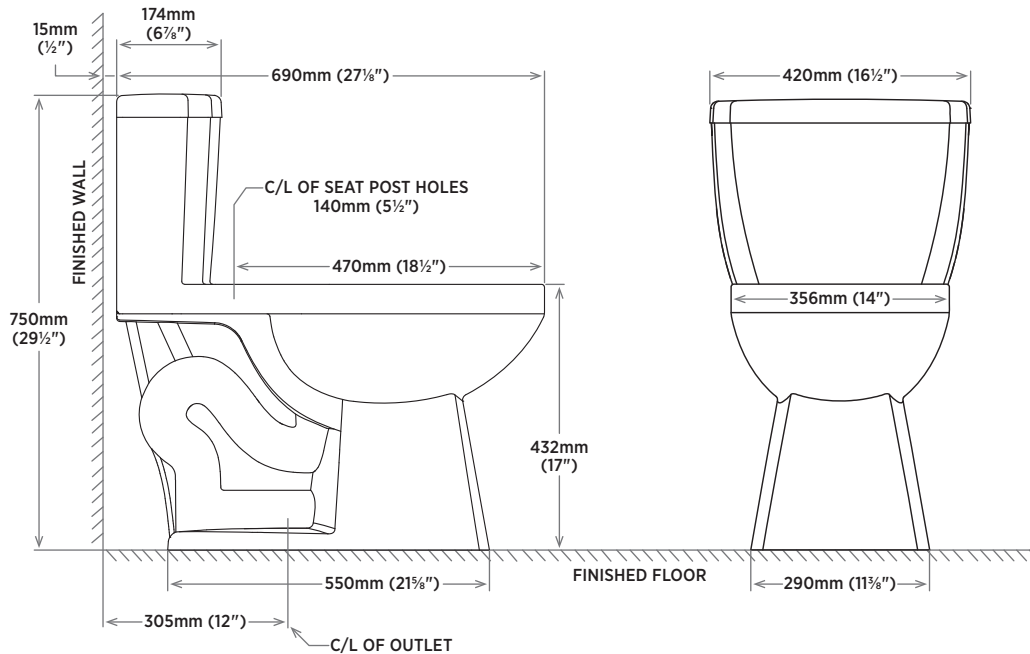
TO BE SPECIFIED

Colour:
■ Soft White

NOTES: This toilet is designed to rough-in at a minimum dimension of 305mm (12") from finished wall to C/L of outlet. Supply line not included with fixture and must be ordered separately.

Important: Dimensions of fixtures are nominal and may vary within the range of tolerances established by ASME standard A112.19.2. These measurements are subject to change or cancellation. No responsibility is assumed for use of superseded or voided pages.

The product is designed to comply with ADA / ANSI A117.1 and CSA B651 Barrier-Free Standard requirements, if installed according to the standard and local building codes. It is the responsibility of the installer to comply with this standard and local building codes prior to installation.



REVISED APRIL 2020